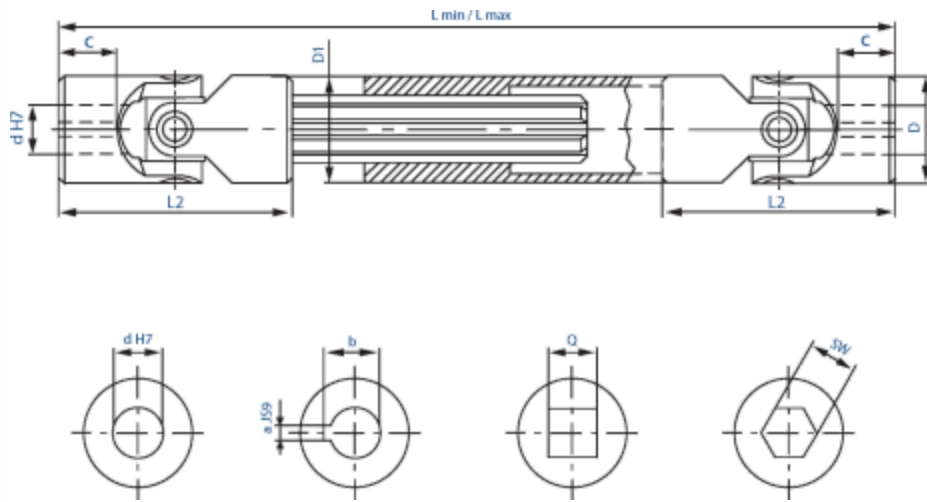


Extendable joints with needle bearing

Specifications:

- Suitable up to a maximum speed of 4000 (1/min)
- Maximum articulation angle 45° for each joint
- Available with H7 finish bore with keyway.
On request with round bores, square bore, hexacon bore quick release.



Standard lengths

Type	Dimensions L min. / L max. .									
03	140	160	180	230						
	170	200	240	330						
04	160	180	200	220	250	280	300			
	190	225	270	300	355	420	450			
05	170	180	200	220	250	280	300	350	400	
	200	220	260	300	350	420	450	550	650	
1	190	210	240	250	275	300	380	400		
	210	250	320	350	390	430	590	630		
2	230	250	270	290	300	400	500			
	280	320	370	400	415	620	820			
3	250	270	290	320	380	420	500			
	300	340	380	440	560	640	800			
4	250	270	290	330	350	470				
	280	320	350	430	470	710				
5	295	310	350	380	420	460	500			
	345	375	450	500	590	660	745			
6	330	350	370	400	450	500	540			
	380	420	455	510	620	720	795			

Extendable joints with needle bearing to DIN 808

Type	d (H7)	D	L2	C	L min. / L max.	B	a (JS9)	b	Q (H8)	SW (H8)	Spline	D1
03HA	10	22	48	12	< - >	30	3	11,4	10	10	11 x 14 Z6	22
04HA	12	25	56	13	< - >	40	4	13,8	12	12	13 x 16 Z6	26
05HA	14	28	60	14	< - >	40	5	16,3	14	14	13 x 16 Z6	29
1HA	16	32	68	16	< - >	40	5	18,3	16	16	16 x 20 Z6	32
2HA	18	36	74	17	< - >	40	6	20,8	18	18	18 x 22 Z6	37
3HA	20	42	82	18	< - >	45	6	22,8	20	20	21 x 25 Z6	42
4HA	22	45	95	22	< - >	45	6	24,8	22	22	23 x 28 Z6	47
5HA	25	50	108	26	< - >	45	8	28,3	25	25	26 x 32 Z6	52
6HA	30	58	122	29	< - >	50	8	33,3	30	30	32 x 38 Z8	58
7HA	35	70	140	35	< - >	70	10	38,3	**	**	36 x 42 Z8	70
8HA	40	80	160	39	< - >	80	12	43,3	**	**	42 x 48 Z8	80
9HA	50	95	190	46	< - >	90	14	53,8	**	**	46 x 54 Z8	95

Extendable joints with needle bearing to DIN 808/7551

Type	d (H7)	D	L2	C	L min. / L max.	B	a (JS9)	b	Q (H8)	SW (H8)	Spline	D1
04HBA	12	22	62	18	< - >	30	4	13,8	10	10	11 x 14 Z6	22
1HBA	16	25	74	21	< - >	40	5	18,3	12	12	13 x 16 Z6	26
3HBA	20	32	86	24	< - >	40	6	22,8	16	16	16 x 20 Z6	32
5HBA	25	42	108	31	< - >	45	8	28,3	20	20	21 x 25 Z6	42
6HBA	30	50	132	38	< - >	45	8	33,3	25	25	26 x 32 Z6	52
8HBA	40	70	166	47	< - >	70	12	43,3	**	**	36 x 42 Z8	70